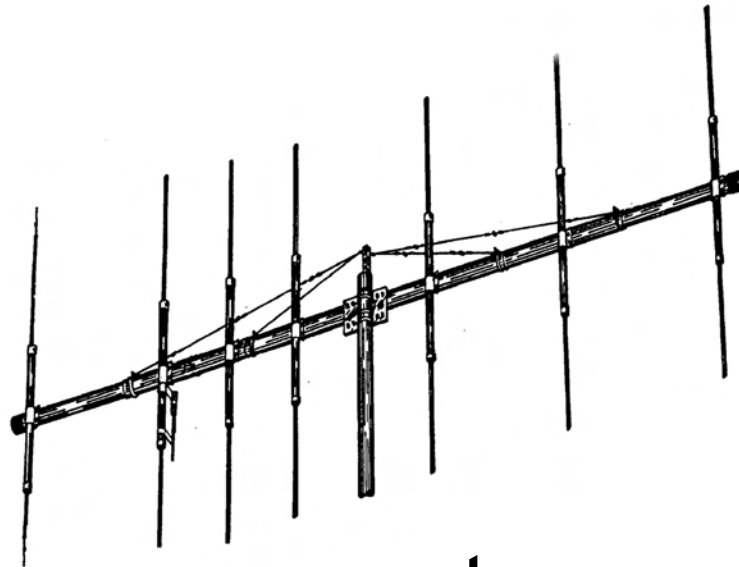


# ASSEMBLY INSTRUCTIONS



**M107C**  
**7 ELEMENT**  
**10/11 METER MAXIMUM BEAM**



[www.macoantennas.net](http://www.macoantennas.net)  
(815) 244-3500

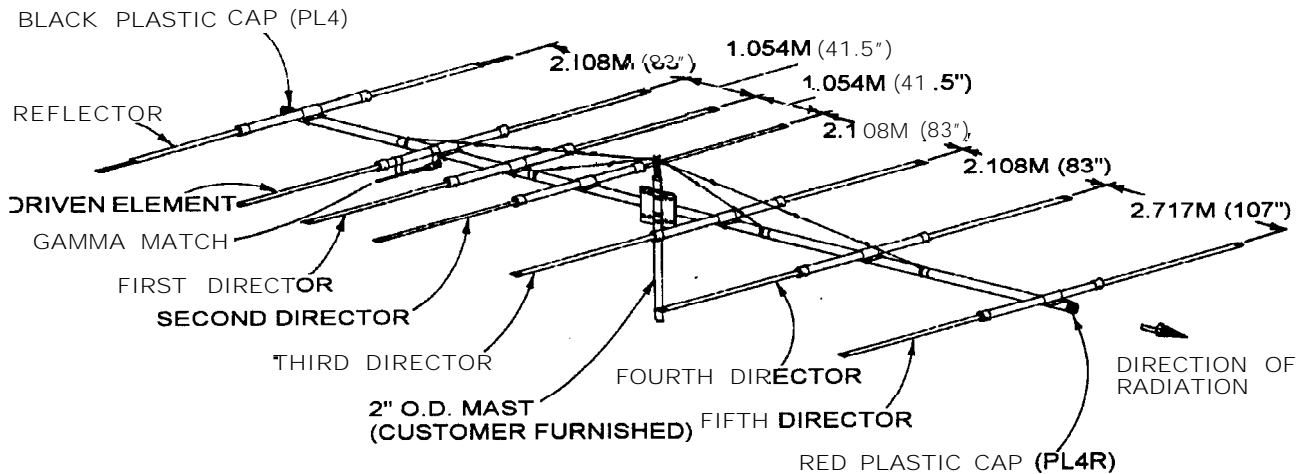
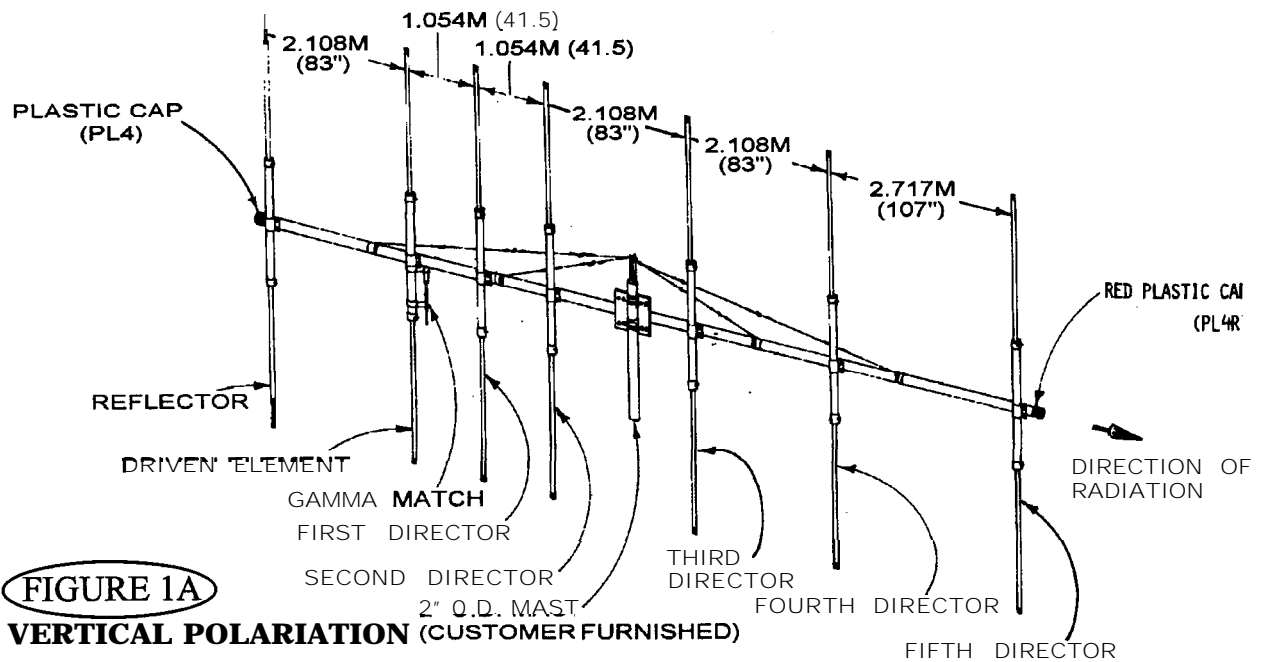
MACo Antennas, A Division of Charles Electronics, LLC  
302 S. East Street, Mt. Carroll, IL 61053

# MACO M107C

## PACKING LIST

<u>PART</u>	<u>QTY</u>	<u>OD</u>	<u>SIZE</u>	<u>LENGTH</u>	<u>DESCRIPTION</u>	<u>CHECKLIST</u>
T52P	2	2"	.060"	80"	ALUM. TUBING SLOTTED ONE END	_____
T31P	2	2"	.060	80"	ALUM TUBING SLOTTED ONE END, SWAGED ONE END TO 1.835	_____
T64P	2	2	.060	72"	ALUM TUBING SWAGED ONE END TO 1.835	_____
T53	1	1.845"	.060"	80"	ALUMINUM TUBING	_____
T11P	7	5/8"	.050"	72"	ALUM. TUBING SLOTTED BOTH ENDS	_____
T04	2	1/2"	.050"	80.5"	ALUMINUM TUBING	_____
T01	12	1/2"	.050"	72"	ALUMINUM TUBING	_____
PO3P	1		1/4"x6"	8"	PLATE 2" BOOM TO 2" MAST	_____
V03P	1		1"x1"	24"	VERTICAL GUY SUPPORT	_____
WD5P	1		6/18	60'	STEEL GUY CABLE	_____
G01P	1				GAMMA MATCH	_____
Z08P	2				GAMMA STRAPS W/COAX CONNECTOR	_____
S42	1				FEMALE COAX CONN. W/MOUNTING NUT	_____
<u>HARDWARE BAG #1</u>						
S01	20		2"		PLATED SADDLES	_____
<u>HARDWARE BAG #2</u>						
U01	20		2"		PLATED U-BOLTS	_____
N03	42		5/16"		LOCK NUTS	_____
<u>HARDWARE BAG #3</u>						
BE2P	7		2"		BOOM TO ELEMENT MOUNTS	_____
BG2P	4				GUY MOUNTS	_____
N18	6		5/16"		EYEBOLTS – WITH (12) NO1 NUTS	_____
<u>HARDWARE BAG #4</u>						
W58P	16		5/8"		EXTRUDED ALUMINUM CLAMPS	_____
S21	22		10-24	1/2"	MACHINE SCREWS	_____
PL2	14		.437		PLASTIC CAPS – BLACK	_____
N11	22		10-24		SQUARE NUTS	_____
PL5R	1		2"		PLASTIC CAP – RED	_____
PL5	1		2"		PLASTIC CAP – BLACK	_____
EG2	10				EGG INSULATORS	_____
N12	4		#10		LOCK WASHERS	_____
Z02P	2				GAMMA STRAPS	_____
	1				TIP SHEET	_____
	1				WARRANTY SHEET	_____
	1				INSTRUCTIONS	_____

Please note: In an effort to keep the price on Maco Antennas down, we have decided not to clean up all the burrs and rough edges on the parts. We recommend that you deburr and clean up each part with files, sandpaper, etc. so that they go together easily. We are aware this needs to be done but have elected not to do it to save you the money we would have to add to the price of the kit for this service.

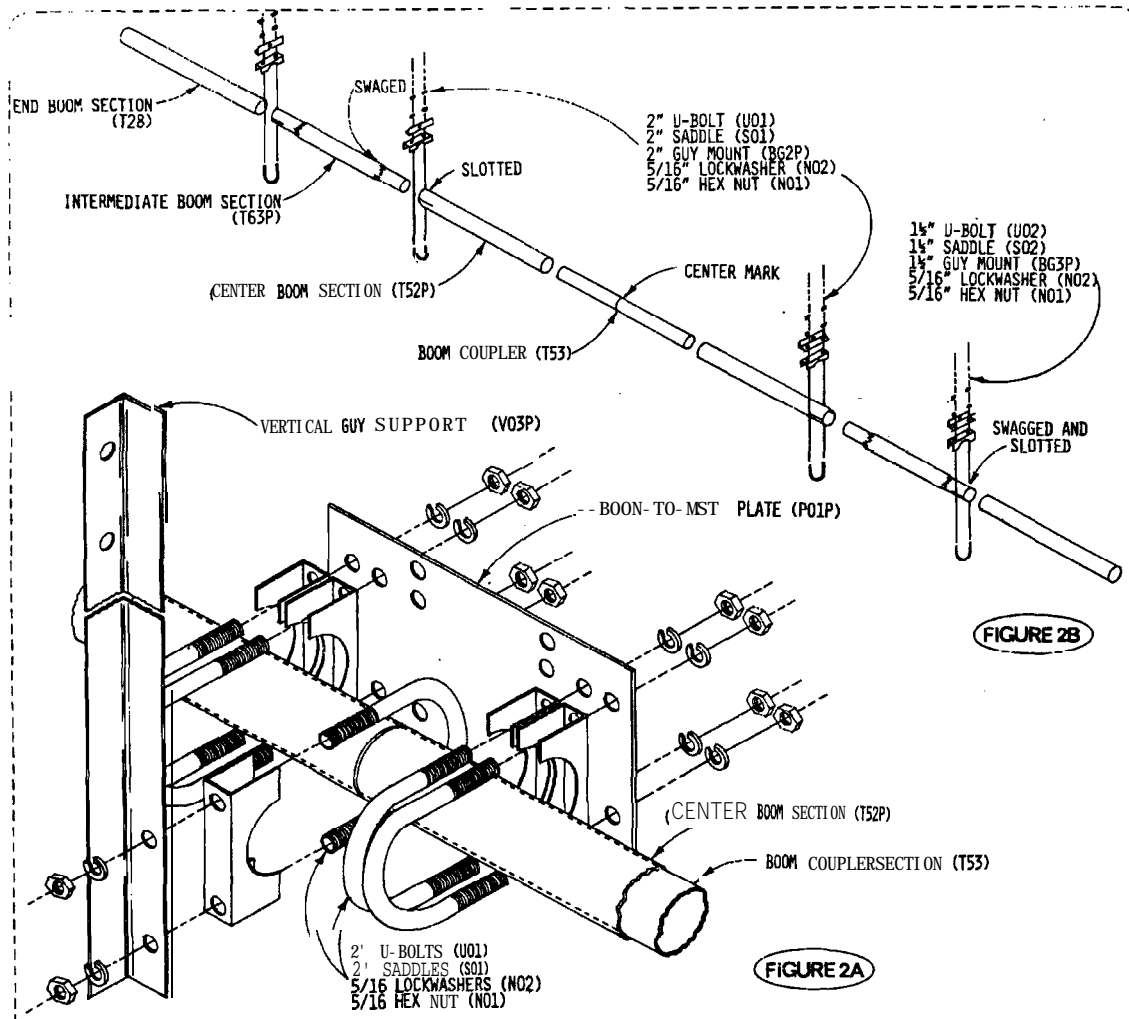


### **FIGURE 1 GENERAL INSTRUCTIONS**

This drawing shows a view of the antenna assembled. The M107C may be used vertically or horizontally. These instructions and FIGURES 2 through 4 show the correct assembly instructions. It is highly recommended that rope be put in the elements to prolong their life. All hardware should be tightened securely, and then coated with silicon rubber sealant or similar compound to prevent loosening from wind vibration.

Take care to locate all parts accurately per dimensions given. Complete each step as instructed before going on to following steps.

Upon completion of assembly, install the red plastic cap (PL4R) on the director end of the antenna, and the black plastic cap (PL4) on the reflector end. This will allow you to determine at a glance the direction of transmit and receive.



**FIGURE 2 BOOM ASSEMBLY**

First mark the center of the boom coupler (T53), then slide the unslotted ends of the center boom sections (T52P) over each end of the coupler so they butt at the center mark.

Attach the boom-to-mast plate (P01P) and the vertical guy support (V03P) at the boom center using 2" U-bolts, saddles and hardware as shown in Figure 2A. Be sure to slip the 2" U-bolt for attaching the guy support over the boom before securing the mast plate (P01P).

Slide the **swaged** ends of the intermediate boom sections (T63P) 6" into the slotted ends of the center boom sections. Secure with 2" U-bolts, saddles and hardware as shown in Figure 2B.

Slide the **swaged** ends of the end booms sections (T28) 5" into the slotted ends of the intermediate boom section and secure in the same manner as above. The overall length of the boom should be approximately 443". If not, adjust the end sections equally until the overall length is at least 443".

Please read the Assembly and Troubleshooting Tips at the end of this instruction booklet before assembling elements.

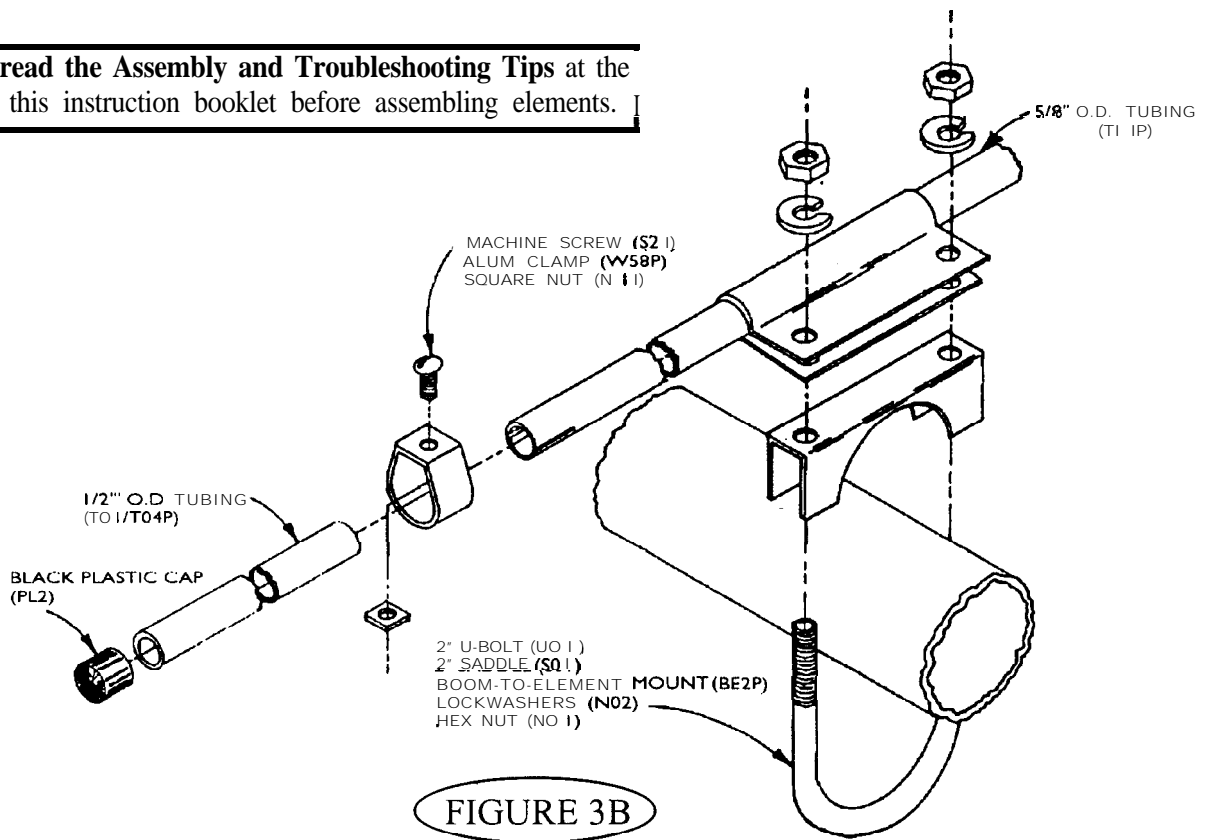


FIGURE 3B

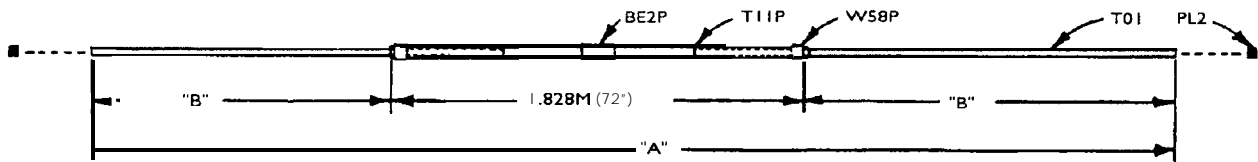


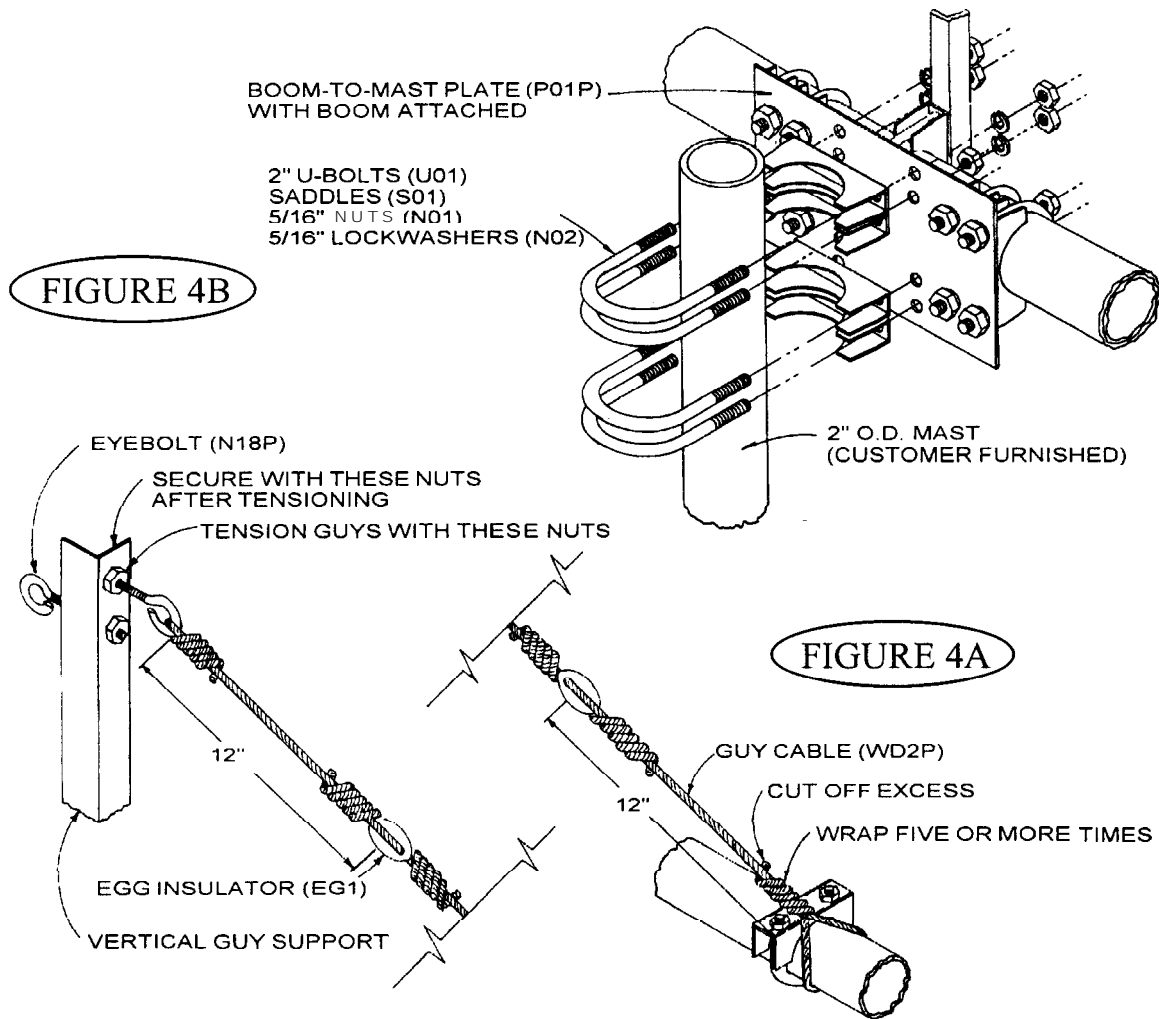
FIGURE 3A

**FIGURE 3 ELEMENT ASSEMBLY AND MOUNTING**

Select a frequency in the center of where you work from the chart on pages 6 or 7 and follow across for element dimensions "A" & "B". To assemble the elements, slide a piece of 1/2" O.D. tubing (T01) into each slotted end of the 5/8" O.D. center section (T11P). Allow equal lengths on each end to arrive at the specified overall length (Dimension "A") as shown in Figure 3B. Be Accurate! Verify the overall length.

Slide a boom-to-mast mount (BE1P, BE2P) to the center of each element before securing the joints with clamps and hardware as shown in Figure 3A.

Install elements on boom per dimensions in Figure 1, with U-bolts, saddles, and hardware as shown in Figure 3B. Be accurate as possible, and be sure the elements are exactly centered on boom before tightening clamps.



**FIGURE 4 GUY ASSEMBLY**

Cut eight pieces of guy cable .609M (24"), two pieces 2.286M (83"), and two pieces 2.286M (90"). Assemble 5/16" hex nut (NO 1) onto each of the eyebolts (N18P). Turn the nut all the way to the eye; as far as it will go with light pressure only. These will be used to secure the eyebolts after guy tensioning.

Install eyebolts into the top holes of the vertical guy support (V03P)- one eye each direction. Install one eyebolt in the top hole of each of the four guy mounts (BG2P, BG3P) with the eyes towards the center of the boom. Thread a hex nut about six turns onto each eyebolt.

Thread four .609M (24") guy cables-2-each into the upper eyebolts, wrap five or more times and cut off the excess. Thread remaining four cables 609M (24") guy cables into each of the lower eyebolts, wrap it five or more times and cut off the excess. Install an egg insulator (EG1) on each .609M (24") guy cable leaving only .304M (12") between eyebolt and egg insulator. Wrap and cut off excess.

Using the remaining 2.108M (83") guy cable, thread one end through the top egg insulator of the inner cable. Wrap and cut off excess. Thread the remaining end through the insulator on the cable nearest the center of the boom. Pull tight enough to remove slack only. Wrap. DO NOT cut off excess. Ref. Figure 5.

Using the 2.286M (90") cable, thread one end into each insulator of the remaining .609M (90") cables, wrap and cut off excess. Install an egg insulator onto the lower 2.286M (90") cable, wrap and cut off excess. Using the upper 2.286M (90") cables, thread it through the insulator of the lower 2.286M (90") cable. Pull tight enough to remove slack only, , wrap and cut off excess.

Return to inner cable, unwrap the uncut cable and retighten to remove any slack only wrap and cut off excess. Tension guys by tightening the nuts on the ends of the eyebolts. Secure with the nuts on the opposite end near the eye.

Line the elements up with the use of a level or any other workable method. Double check the spacing dimensions and make sure the elements are centered in the boom-to-element clamps. Tighten all hardware taking care to line the elements up with the use of a level. Check your measurements and make sure the elements are centered on the boom.

**CB FREQUENCIES (11 METER BAND)**

CHANNEL	FREQUENCY	REFLECTOR		DRIVEN		1st DIRECTOR		2nd DIRECTOR		3rd DIRECTOR		4th DIRECTOR		5th DIRECTOR	
		"A"	"B"	"A"	"B"	"A"	"B"	"A"	"B"	"A"	"B"	"A"	"B"	"A"	"B"
1-3	26.965/26.985	5.664M (223")	1.712M (75.5")	5.359M (211")	1.765M (69.5")	5.156M (203")	1.663M (65.5")	5.130M (202")	1.651M (65")	5.054M (199")	1.612M (63.5")	5.029M (198")	1.600M (63")	5.029M (198")	1.600M (63")
4-7	27.005/27.035	5.638M (222")	1.699M (75")	5.359M (211")	1.765M (69.5")	5.156M (203")	1.663M (65.5")	5.105M (201")	1.638M (64.5")	5.054M (199")	1.612M (63.5")	5.029M (198")	1.600M (63")	5.029M (198")	1.600M (63")
8-11	27.055/27.085	5.638M (222")	1.699M (75")	5.334M (210")	1.752M (69")	5.130M (202")	1.638M (65")	5.105M (201")	1.638M (64.5")	5.029M (198")	1.600M (63")	5.003M (197")	1.587M (62.5")	5.003M (197")	1.587M (62.5")
12-15	27.105/27.135	5.613M (221")	1.686M (74.5")	5.334M (210")	1.752M (69")	5.130M (202")	1.638M (65")	5.105M (201")	1.638M (64.5")	5.029M (198")	1.600M (63")	5.003M (197")	1.587M (62.5")	5.003M (197")	1.587M (62.5")
16-19	27.155/27.185	5.613M (221")	1.686M (74.5")	5.334M (210")	1.752M (69")	5.130M (202")	1.638M (65")	5.080M (200")	1.625M (64")	5.029M (198")	1.600M (63")	5.003M (197")	1.587M (62.5")	5.003M (197")	1.587M (62.5")
20-25	27.205/27.245	5.613M (221")	1.686M (74.5")	5.308M (209")	1.739M (68.5")	5.105M (201")	1.625M (64.5")	5.080M (200")	1.625M (64")	5.003M (197")	1.578M (62.5")	4.978M (196")	1.574M (62")	4.978M (196")	1.574M (62")
26-29	27.265/27.295	5.588M (220")	1.674M (74")	5.308M (209")	1.739M (68.5")	5.105M (201")	1.625M (64.5")	5.054M (199")	1.612M (63.5")	5.003M (197")	1.578M (62.5")	4.978M (196")	1.574M (62")	4.978M (196")	1.574M (62")
30-34	27.305/27.345	5.588M (220")	1.674M (74")	5.283M (208")	1.727M (68")	5.080M (200")	1.625M (64")	5.054M (199")	1.612M (63.5")	4.978M (196")	1.574M (62")	4.978M (196")	1.574M (62")	4.978M (196")	1.574M (62")
35-39	27.355/27.395	5.562M (219")	1.661M (73.5")	5.283M (208")	1.727M (68")	5.080M (200")	1.625M (64")	5.054M (199")	1.612M (63.5")	4.978M (196")	1.574M (62")	4.953M (195")	1.562M (61.5")	4.953M (195")	1.562M (61.5")
40	27.405	5.562M (219")	1.661M (73.5")	5.283M (208")	1.727M (68")	5.080M (200")	1.625M (64")	5.029M (198")	1.600M (63")	4.978M (196")	1.574M (62")	4.953M (195")	1.562M (61.5")	4.953M (195")	1.562M (61.5")

### AMATEUR FREQUENCIES (10 METER BAND)

FREQUENCY	PHONE 28.60 MHz		CW 28.100 MHz		OSCAR 29.500 MHz		FM 29.600 MHz	
	"A"	"B"	"A"	"B"	"A"	"B"	"A"	"B"
REFLECTOR	5.232M (206")	1.496M (67")	5.334M (210")	1.547M (69")	5.080M (200")	1.420M (64")	5.080M (200")	1.420M (64")
DRIVEN	4.978M (196")	1.574M (62")	5.080M (200")	1.625M (64")	4.826M (190")	1.498M (59")	4.826M (190")	1.498M (59")
1 st DIRECTOR	4.800M (189")	1.485M (58.5")	4.876M (192")	1.524M (60")	4.648M (183")	1.409M (55.5")	4.622M (182")	1.397M (55")
2nd DIRECTOR	4.699M (185")	1.435M (56.5")	4.775M (188")	1.473M (58")	4.546M (179")	1.358M (53.5")	4.521M (178")	1.346M (53")
3rd DIRECTOR	4.699M (185")	1.435M (56.5")	4.775M (188")	1.473M (58")	4.546M (179")	1.358M (53.5")	4.521M (178")	1.346M (53")
4th DIRECTOR	4.699M (185")	1.435M (56.5")	4.775M (188")	1.473M (58")	4.546M (179")	1.358M (53.5")	4.521M (178")	1.346M (53")
5th DIRECTOR	4.699M (185")	1.435M (56.5")	4.775M (188")	1.473M (58")	4.546M (179")	1.358M (53.5")	4.521M (178")	1.346M (53")



INNER CABLE DIMENSIONS

OUTER CABLE DIMENSIONS

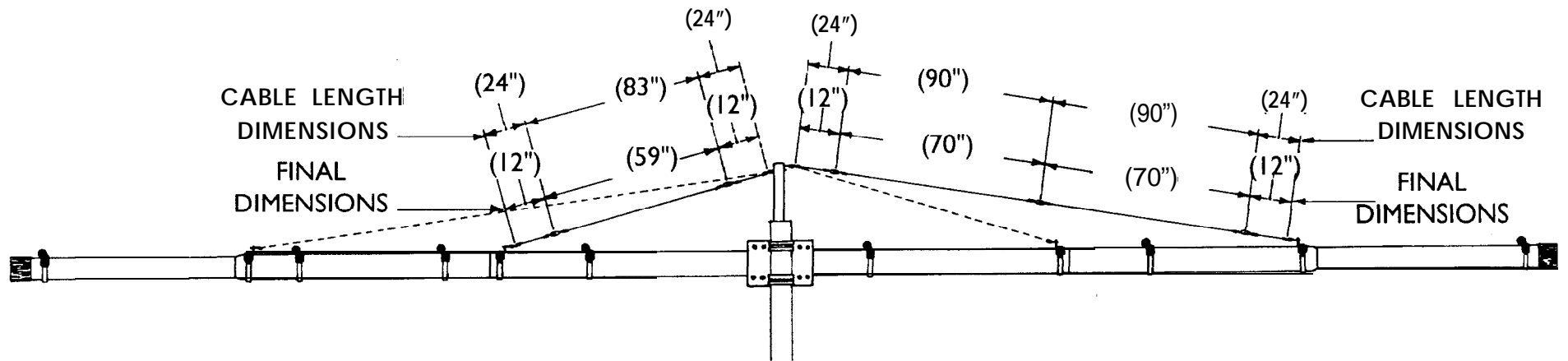
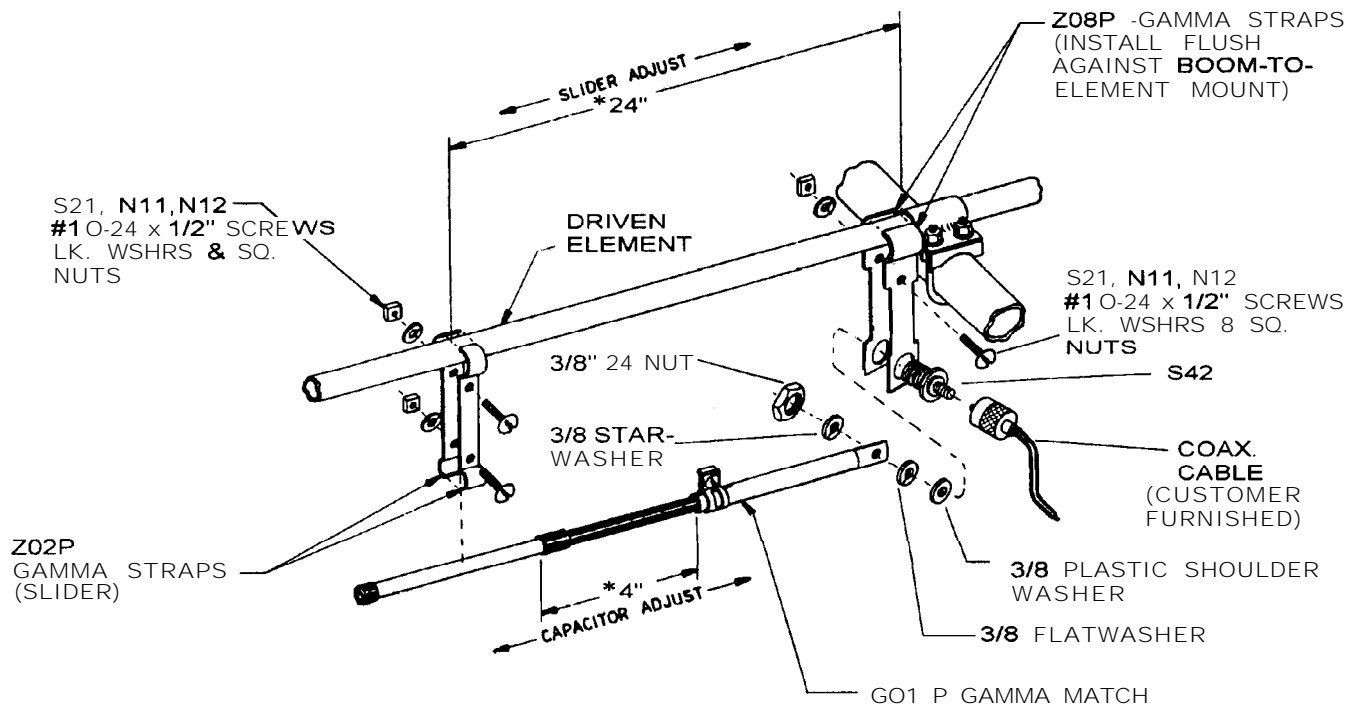


FIGURE 5

M107C

**\*NOTE:** THESE DIMENSIONS ARE APPROXIMATE. REFER TO THE INSTRUCTIONS ON ADJUSTING THE S.W.R. TO DETERMINE EXACT SETTINGS. THERE ARE 2 SEPARATE GAMMA ADJUSTMENTS, 1. CAPACITOR ADJUSTMENT, 2. SLIDER POSITION. **DO NOT MOVE BOTH AT THE SAME TIME.** MOVE THE CAPACITOR FIRST, THEN, IF NECESSARY MOVE THE SLIDER, AND GO BACK TO THE CAPACITOR.



**FIGURE 4** GAMMA MATCH MOUNTING

Mount the gamma match (GO1P) to the driven element, using the gamma straps (Z02P, Z08P) and attaching hardware as shown. Attach your 52 ohm coaxial cable to the connector (S42) and dress along boom and down the mast. The gamma is shown pointing down - this is to let water out.

ADJUSTING THE STANDING WAVE RATIO (SWR)

Refer to Figure 4. The dimensions given are approximate and should be used as a starting point. \* The gamma match has 2 adjustments. First is the capacitor adjust and second is the slider adjust. Connect a SWR bridge coax between your transmitter and the antenna and check the SWR. If adjustment is required, loosen the clamp on the gamma match and the screws holding the slider (gamma straps (Z02P)). Next move the capacitor adjustment first one direction, then the other until a minimum SWR reading is obtained. If SWR is not yet satisfactory, move the slider out 2" away from the boom. If the reading has gone up move the slider back to the original position and then 2" towards the boom. Now readjust the capacitor for minimum SWR. You should now be able to determine which direction to move the slider. Repeat the above procedure moving the slider in smaller increments until a satisfactory SWR is obtained. Tighten all hardware. Disconnect the SWR bridge and reconnect your coaxial cable.

**NOTE!**

When assembling for vertical use, set antenna on a pole about 8 to 9 feet above the ground horizontally and adjust SWR to 1.7. When you turn the antenna vertical and mount it on the tower, etc., the SWR will drop to 1.4 to 1.5. This is good; QUIT! Antenna results best if vertical antenna clears the top of the tower.

**DANGER**

**High Voltage  
Overhead**



**Caution:**

**TAKE CARE TO AVOID ANY CONTACT WITH  
OVERHEAD POWERLINES WHEN RAISING,  
INSTALLING, OR REPAIRING YOUR  
ANTENNA, TOWER, OR ROTOR.**

**DEATH WILL OCCUR!**

Installing and rigging towers, masts and antennas require specialized skills and experience. Information supplied by MACo assumes that all products will be installed by personnel having these skills and have installed similar products before. No one should attempt to install towers or masts without these knowledgeable skills.

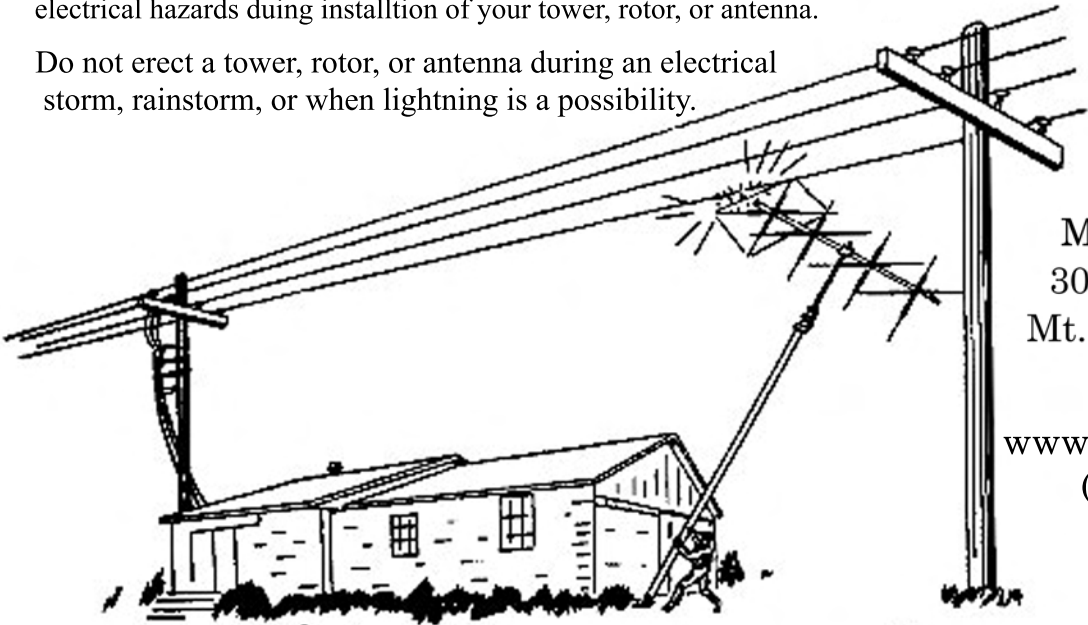
MACo assumes no liability if faulty or dangerous installation practices are used. There are available, trained and experienced personnel to assist in installation, maintenance, or disassembly. Contact your local installer if consultation or assistance is required.

All tower and antenna installations should be thoroughly inspected at least twice a year by qualified, experienced, and trained personnel to insure proper performance and safety standards.

Electrical Warning

An additional warning precaution is given to be careful of surrounding high voltage power wires and other electrical hazards during installation of your tower, rotor, or antenna.

Do not erect a tower, rotor, or antenna during an electrical storm, rainstorm, or when lightning is a possibility.



**MACo Antennas**  
302 S. East Street  
Mt. Carroll, IL 61053

[www.macoantennas.net](http://www.macoantennas.net)  
(815) 244-3500